

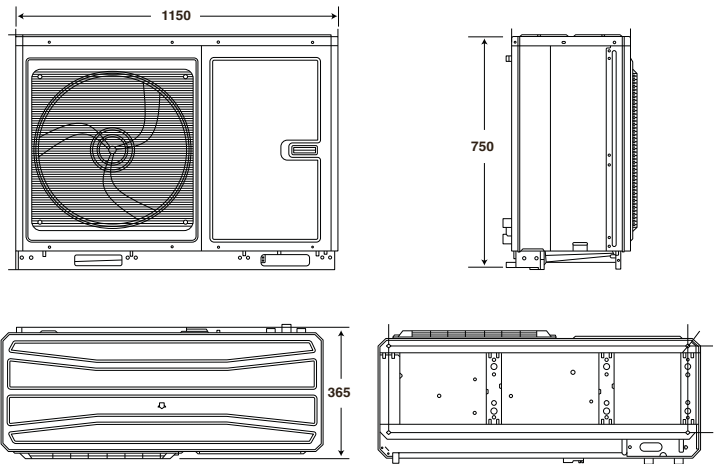
ErP **A+++**



Castletown Datasheet

Air Source Heat Pump

Product Name		Castletown
Product Number		GRS-CQ6.0Pd/NhG3-E
Heat Pump Space Heater - 55 °C	ErP Rating	A++
	SSHEE ^{*2} (η _h)	137%
	SCOP	3.17
Heat Pump Space Heater - 35 °C	ErP Rating	A+++
	SSHEE ^{*2} (η _h)	199%
	SCOP	4.53
Heat pump Combination Heater - Extra large Profile	ErP Rating	A+
	SSHEE ^{*2} (η _h)	128%
Heating (Air -3°C / Water 35°C)	Rated Output (kW)	4.8
	Power Consumption (kW)	1.4
	COP	3.3
Maximum Outlet Temperature (°C)		65
Weight (kg)		95
Heat Pump Voltage / Frequency		230V AC 50Hz
Max Running Current (A) Compressor / Booster		11 / 13
Max Electrical Power (kW) Compressor / Booster		2.5 / 3.0
Sound Pressure Level @ 1m (dba) ^{*1,3}		53
Operating Ambient Temperature (°C)		-20 / +30
Maximum Starting Current (A)		16

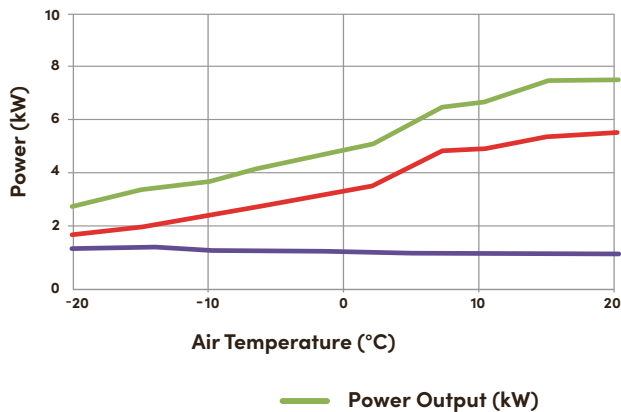


Model	H	W	D
Castletown	750	1150	365

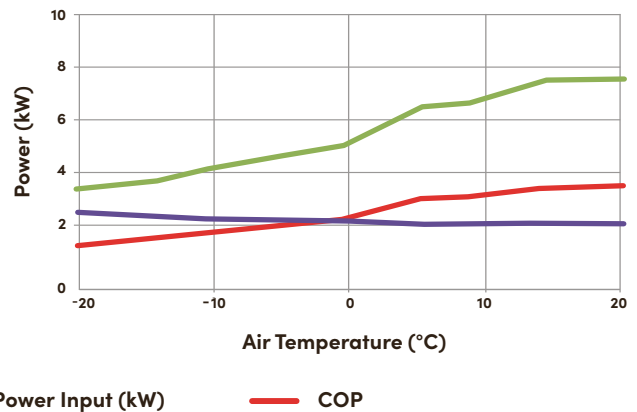
All sizes in mm

*1 - Tested at outdoor temp 7°C DB/ 6°C WB, Inlet / Outlet water temp 30/35°C as per BS EN 14511.
 *2 - Seasonal Space Heating Energy Efficiency
 *3 - Sound power level is 57.9dBA as tested to BS EN 12102

Castletown Performance at 35°C Outlet Temperature



Castletown Performance at 55°C Outlet Temperature



For more information please visit:
www.globalenergysystems.co.uk
 or call us on 03333 444 414

