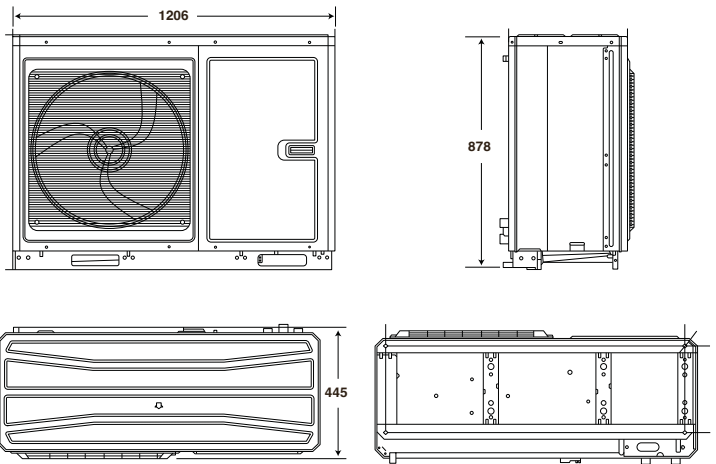


Cartmel Datasheet

Air Source Heat Pump

| Product Name | | Cartmel |
|--|--|-------------------|
| Product Number | | GRS-CQ10Pd/NhG3-E |
| Heat Pump Space Heater - 55 °C | ErP Rating | A++ |
| | SSHEE ⁺² (η _{SE}) | 135% |
| | SCOP | 3.3 |
| Heat Pump Space Heater - 35 °C | ErP Rating | A+++ |
| | SSHEE ⁺² (η _{SE}) | 176% |
| | SCOP | 4.30 |
| Heat pump Combination Heater - Extra large Profile | ErP Rating | A |
| | SSHEE ⁺² (η _{SE}) | 123% |
| Heating (Air -3°C / Water 35°C) | Rated Output (kW) | 9.1 |
| | Power Consumption (kW) | 3.1 |
| | COP | 3.1 |
| Maximum Outlet Temperature (°C) | | 65 |
| Weight (kg) | | 127 |
| Heat Pump Voltage / Frequency | | 230V AC 50Hz |
| Max Running Current (A) Compressor / Booster | | 25 / 26 |
| Max Electrical Power (kW) Compressor / Booster | | 5.8 / 6.0 |
| Sound Pressure Level @ 1m (dba) ^{+1,3} | | 56 |
| Operating Ambient Temperature (°C) | | -20 / +30 |
| Maximum Starting Current (A) | | 40 |

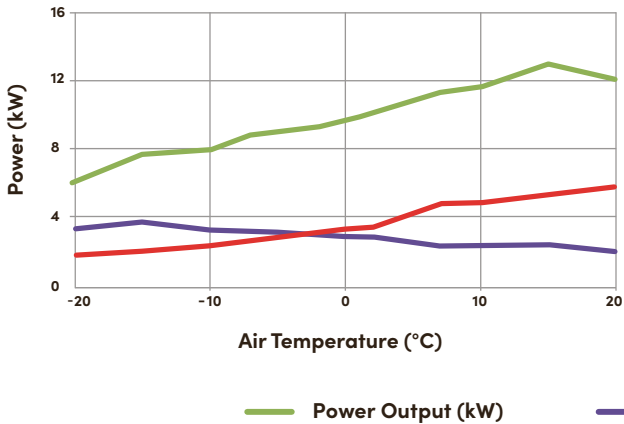


| Model | H | W | D |
|---------|-----|------|-----|
| Cartmel | 878 | 1206 | 445 |

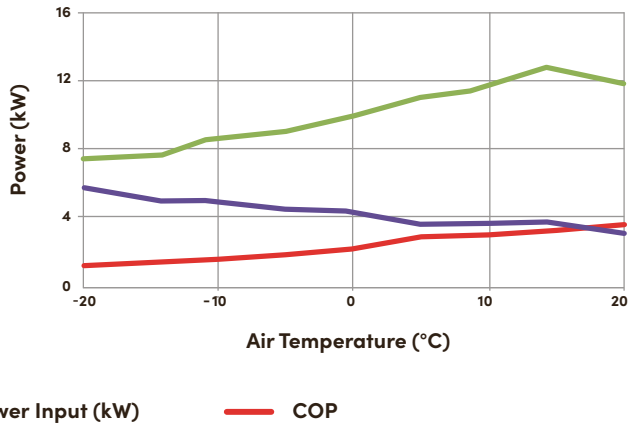
All sizes in mm

*1 - Tested at outdoor temp 7°C DB/ 6°C WB, Inlet / Outlet water temp 30/35°C as per BS EN 14511.
 *2 - Seasonal Space Heating Energy Efficiency
 *3 - Sound power level is 68dBA as tested to BS EN 12102

Cartmel Performance at 35°C Outlet Temperature



Cartmel Performance at 55°C Outlet Temperature



For more information please visit:
www.globalenergysystems.co.uk
 or call us on 03333 444 414

